

What is NatureTREAD™?

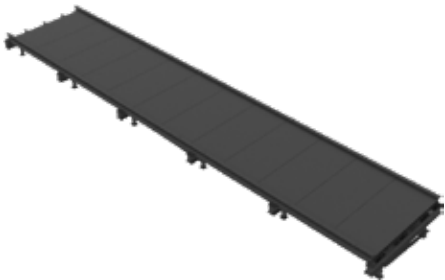
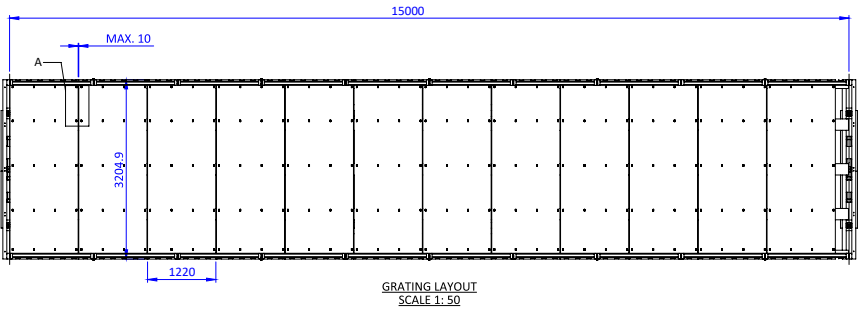
NatureTREAD™ is Treadwell's FRP composite solution for recreational public infrastructure. A suite of standard engineered designs is available, making drafting and costing up your project quick and easy.

These are the specifications for commonly used BRIGHTON BOARDWALK standard designs. Standard designs are made to be modified to fit project requirements.


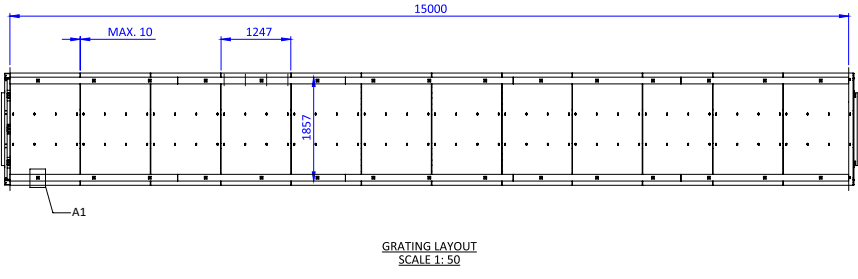


Boardwalks built from traditional materials of timber and steel are prone to deterioration and corrosion. Fibreglass Reinforced Plastic offer longer design life, minimising maintenance, repair and replacement costs. Treadwell's NatureTREAD™ is able to offer solutions suiting a variety of design life requirements. For example, Treadwell premium V-Series® pultruded structural sections carry a fifty-five+ (55+) year (case proven) design life. NATA laboratories show that with accelerated testing, the estimated design life exceeds one hundred (100) years.


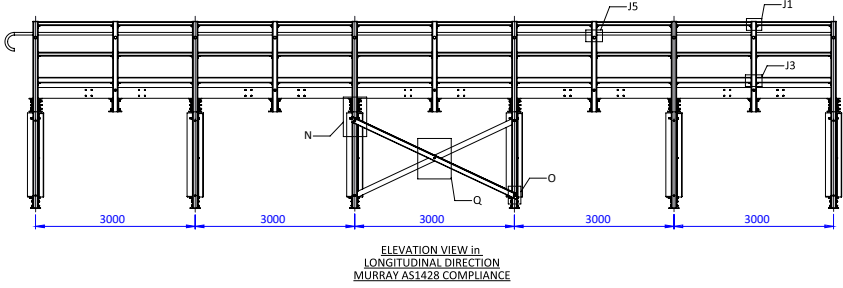
Brighton Series Track Class 1 & 2, with kerb rail

Boardwalk Clear Walking Width	Max. 3 metres
Pile Spacing	Max. 3 metres
Deck Height	0.95 metres off the ground
AS 2156 Track Class 1 or 2	5 kPA, 3.6kN Point Load
	

Brighton Series Track Class 3 & 4, with kerb rail

Boardwalk Clear Walking Width	Max. 2.2 metres
Pile Spacing	Max. 3 metres
Deck Height	0.95 metres off the ground
AS 2156 Track Class 3 or 4	5 kPA, 1.4kN Point Load
	

Brighton Series Track Class 2, Murray Series Handrail, AS1428 Compliant

Boardwalk Clear Walking Width	Max. 3 metres
Pile Spacing	Max. 3 metres
Deck Height	2.3 metres off the ground
AS 2156 Track Class 2	5 kPA, 3.6kN Point Load
	

Brighton Series Track Class 3 & 4, Murray Series Handrail, AS1428 Compliant

Boardwalk Clear Walking Width	Max. 3 metres
Pile Spacing	Max. 3 metres
Deck Height	2.3 metres off the ground
AS 2156 Track Class 2	3 kPA, 1.4kN Point Load
